
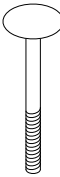







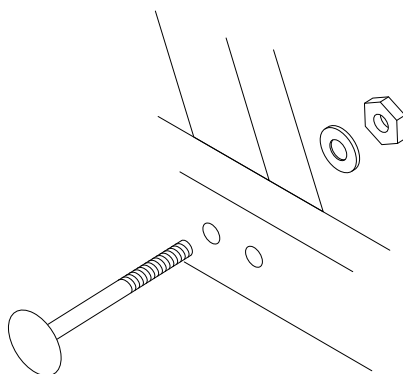
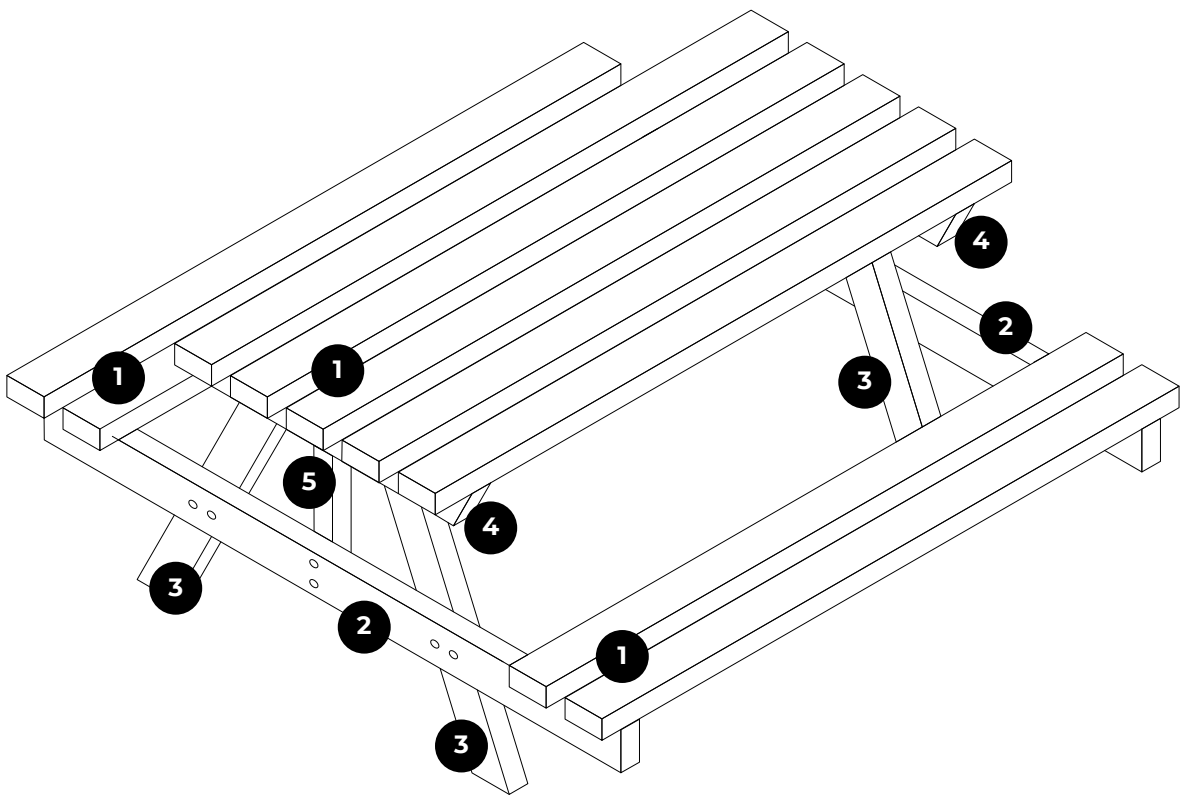


ASSEMBLY MANUAL

PICNIC TABLE 40

- | | | | | | |
|----------|---|---------|----------|---|---------|
| 1 |  | 10 psc. | 8 |  | 16 psc. |
| 2 |  | 2 psc. | 9 |  | 44 psc. |
| 3 |  | 4 psc. | 6 |  | 16 psc. |
| 4 |  | 4 psc. | 7 |  | 16 psc. |
| 5 |  | 2 psc. | | | |



1. Start by placing the elements of table legs (3) to the outside. Attach them to the horizontal boards supporting the seat (2) and to the boards supporting the top (4). Screw all components (6,7,8).
2. Screw two pieces of boards (1) on either side of the horizontal elements supporting the seat (9).
3. Screw two external boards as a table top (1) to the upper horizontal boards (4). Attach the remaining boards (1) in equal distance from each other (6 items). The width of the top is determined by the upper horizontal boards.
4. Finally, screw the crossbars (5) to the horizontal bottom boards (2) and to the upper one (1), which is a part of the table top.

Comments

- When screwing leg parts (3) with horizontal elements (2) and (4) attention should be paid to placing the phased sides of the boards to the outside, which greatly affects the aesthetic appearance of the table.
- Elements of the seat and table top (1) should stick out approx. 10 cm outwards after matching them with the horizontal elements (2) and (4).

