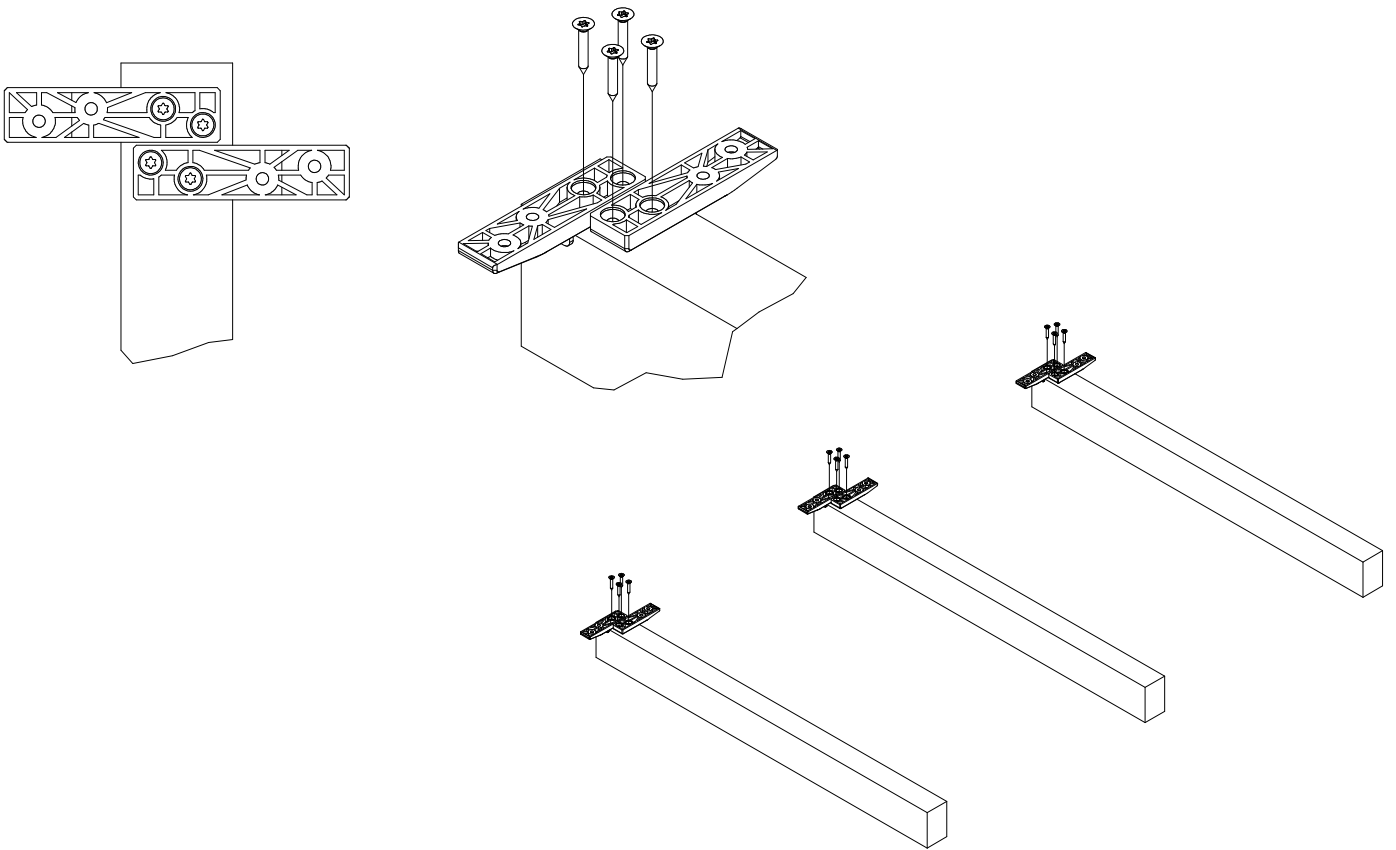


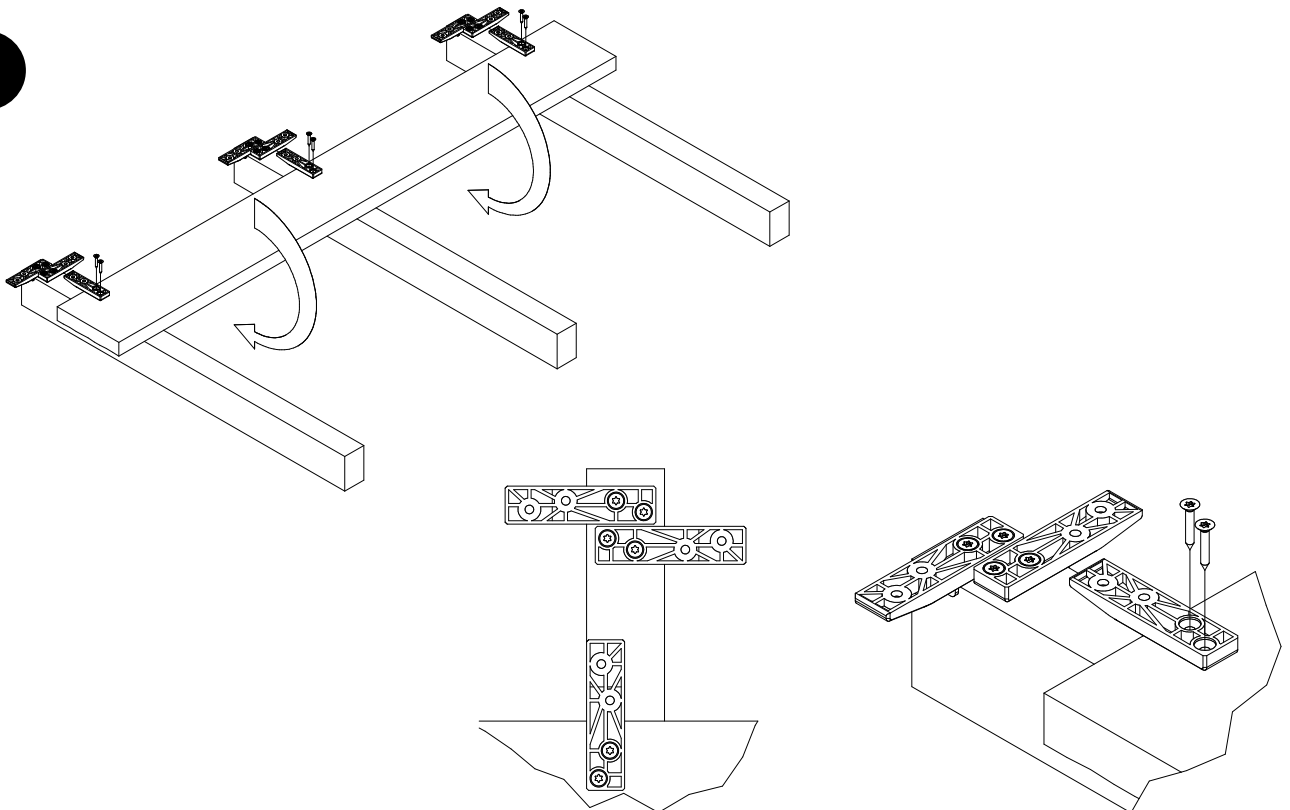
THE SYSTEM OF HIDDEN INSTALLATION FOR DECKING BOARDS

1

MONTAŻ PIERWSZEJ DESKI

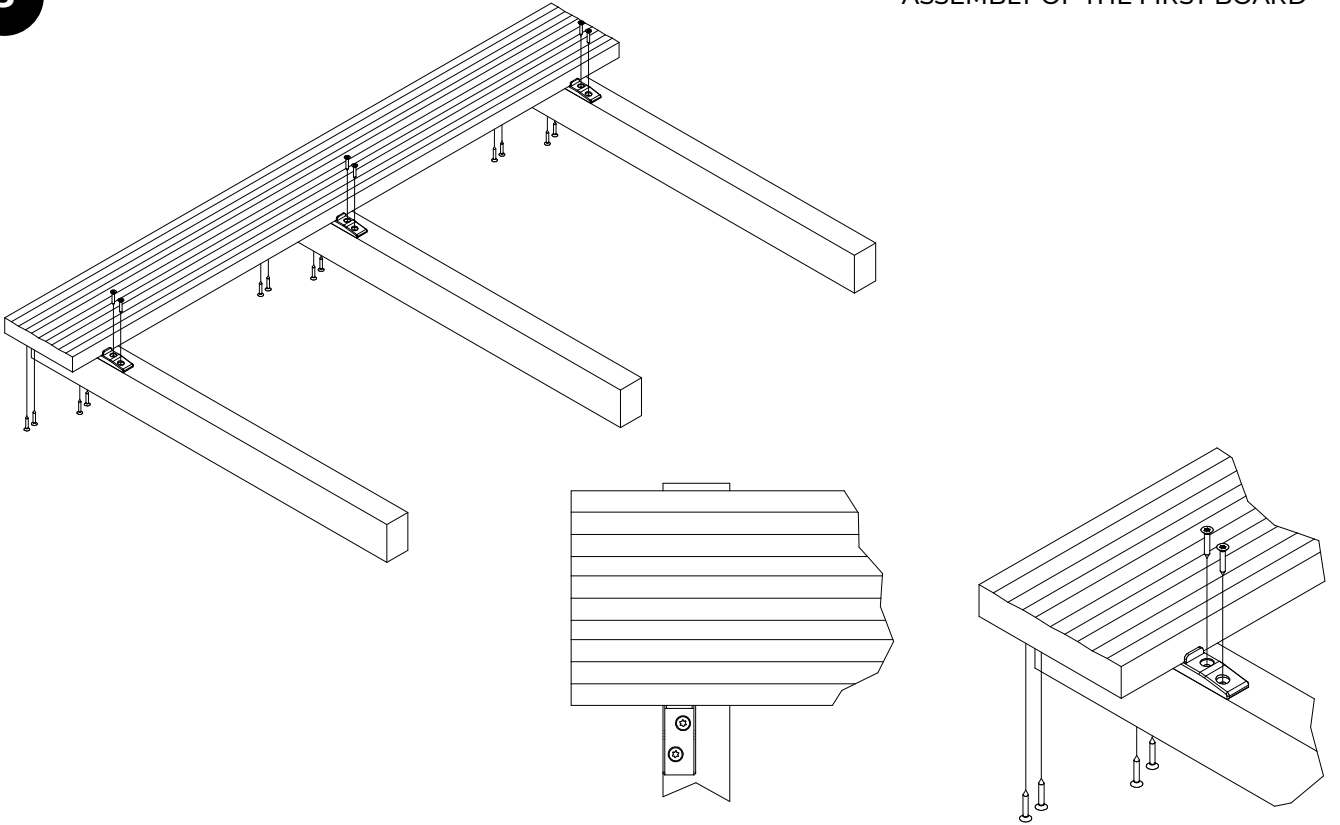


2



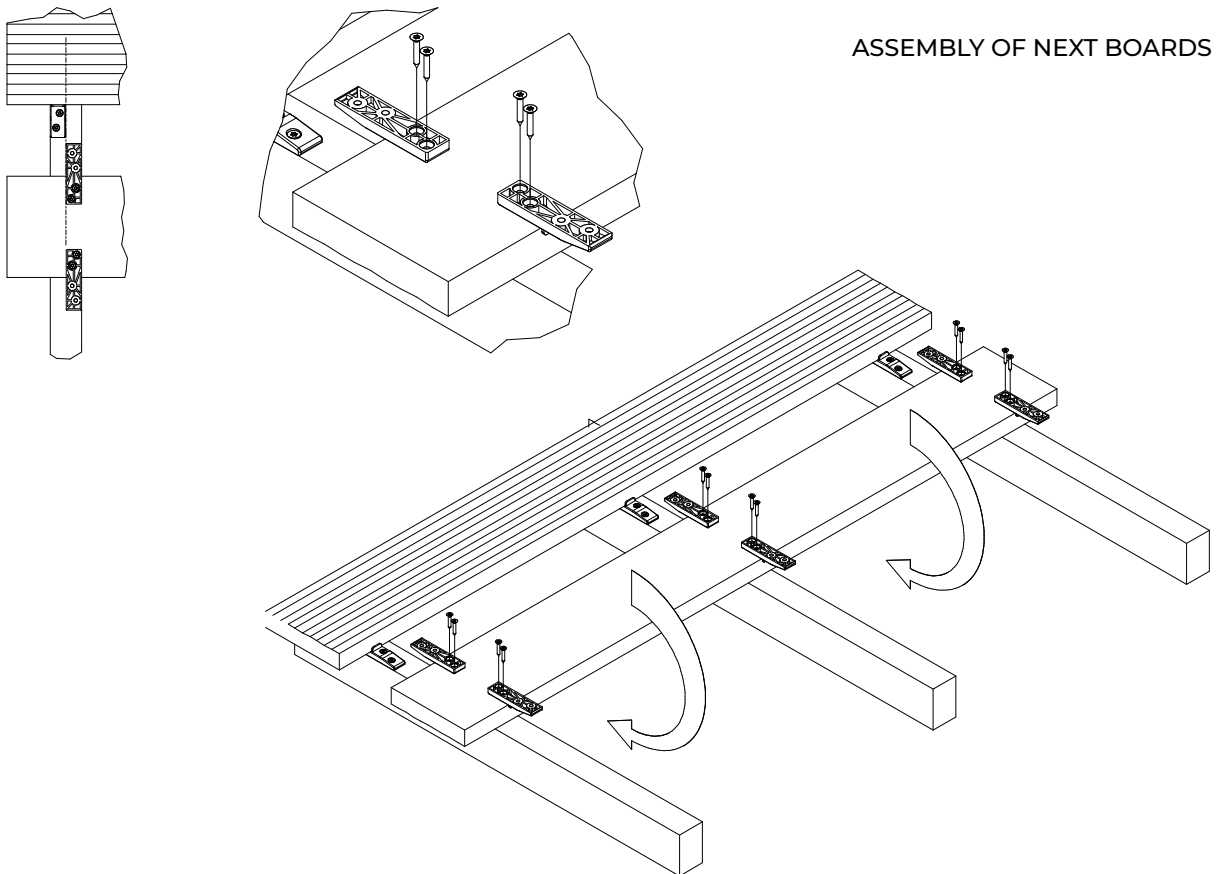
3

ASSEMBLY OF THE FIRST BOARD



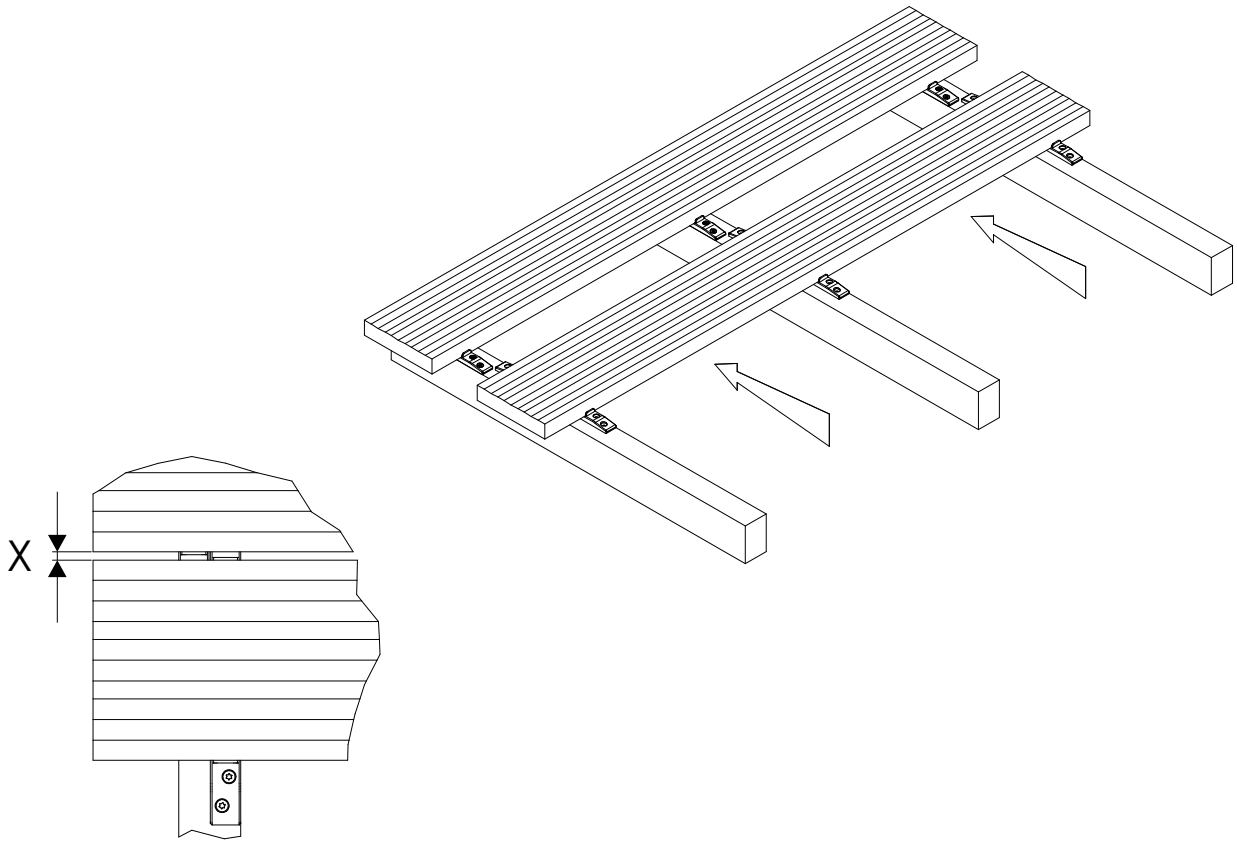
4

ASSEMBLY OF NEXT BOARDS



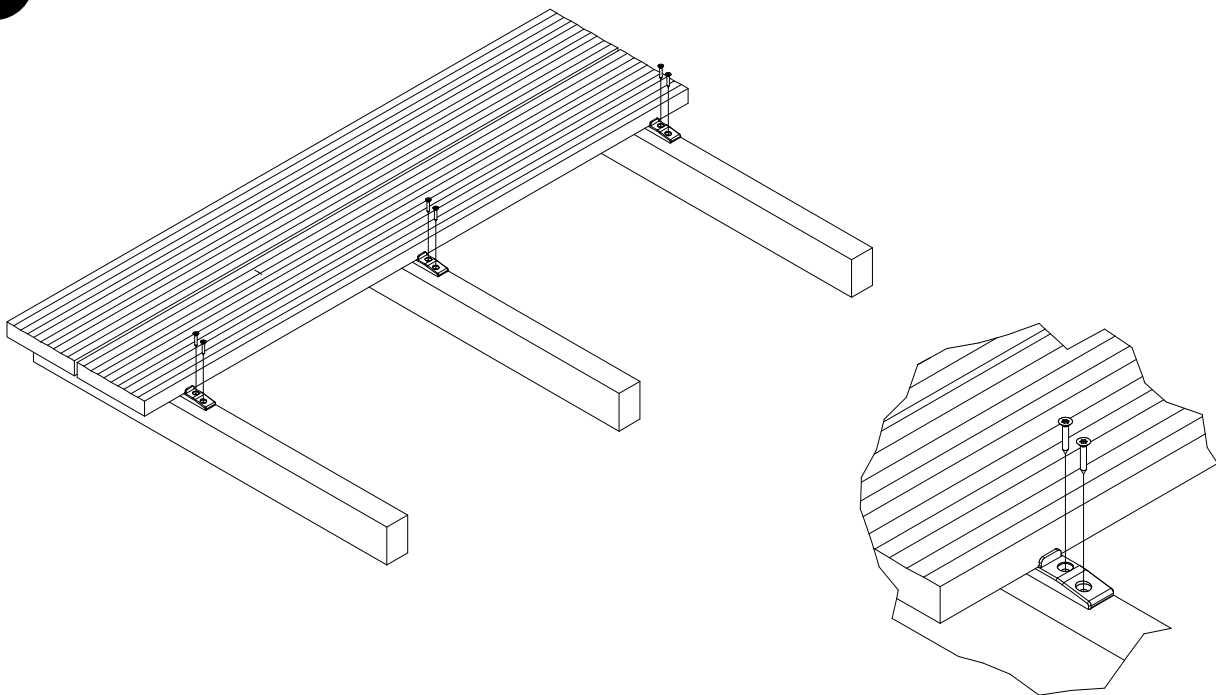
5

ASSEMBLY OF NEXT BOARDS



6

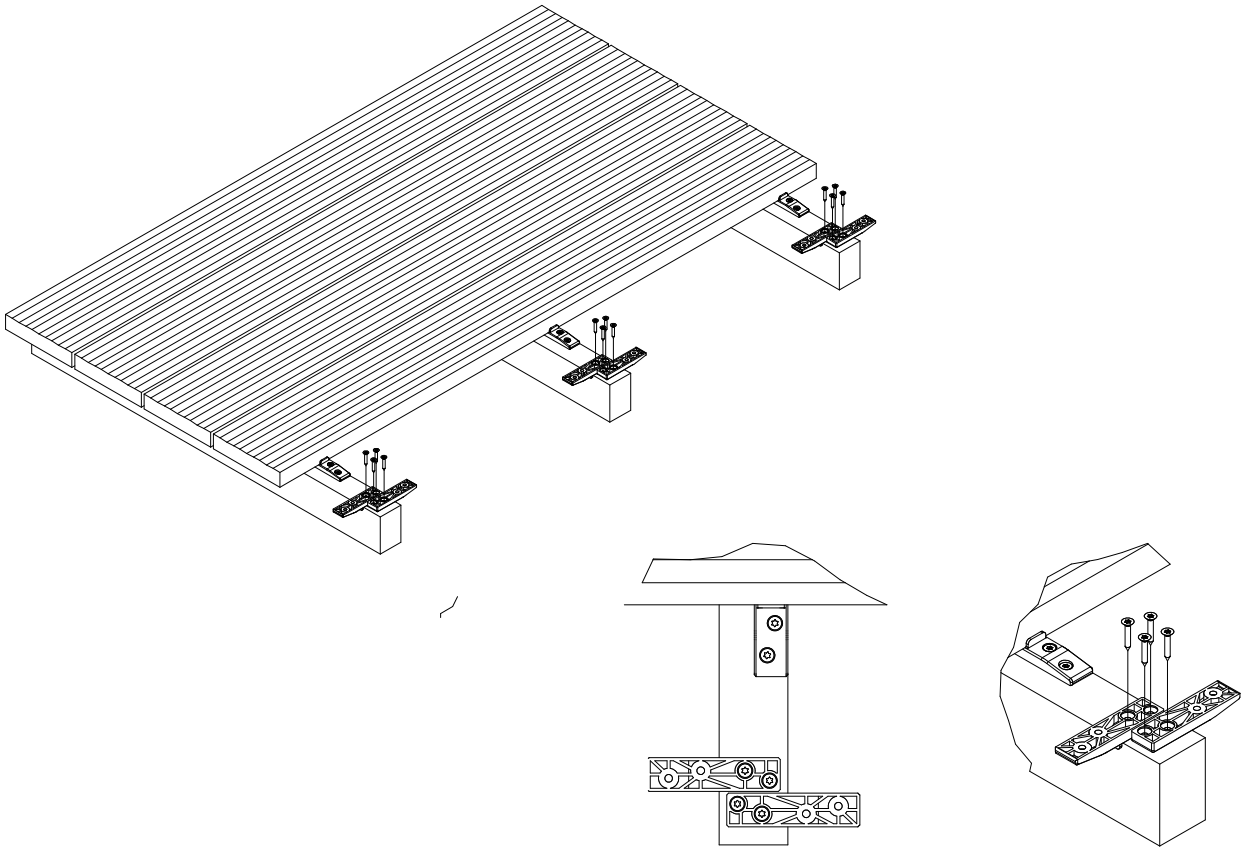
ASSEMBLY OF NEXT BOARDS



3 THE SYSTEM OF HIDDEN INSTALLATION FOR DECKING BOARDSV

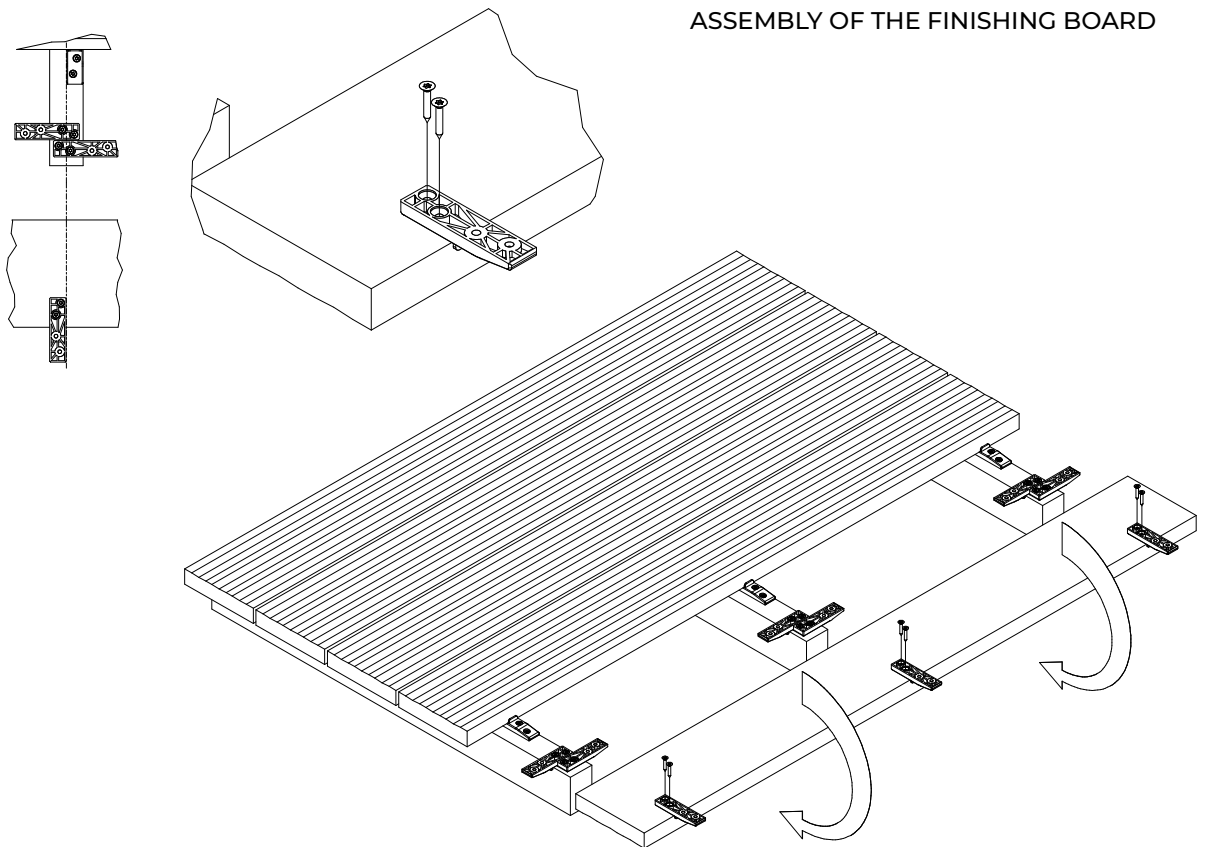
7

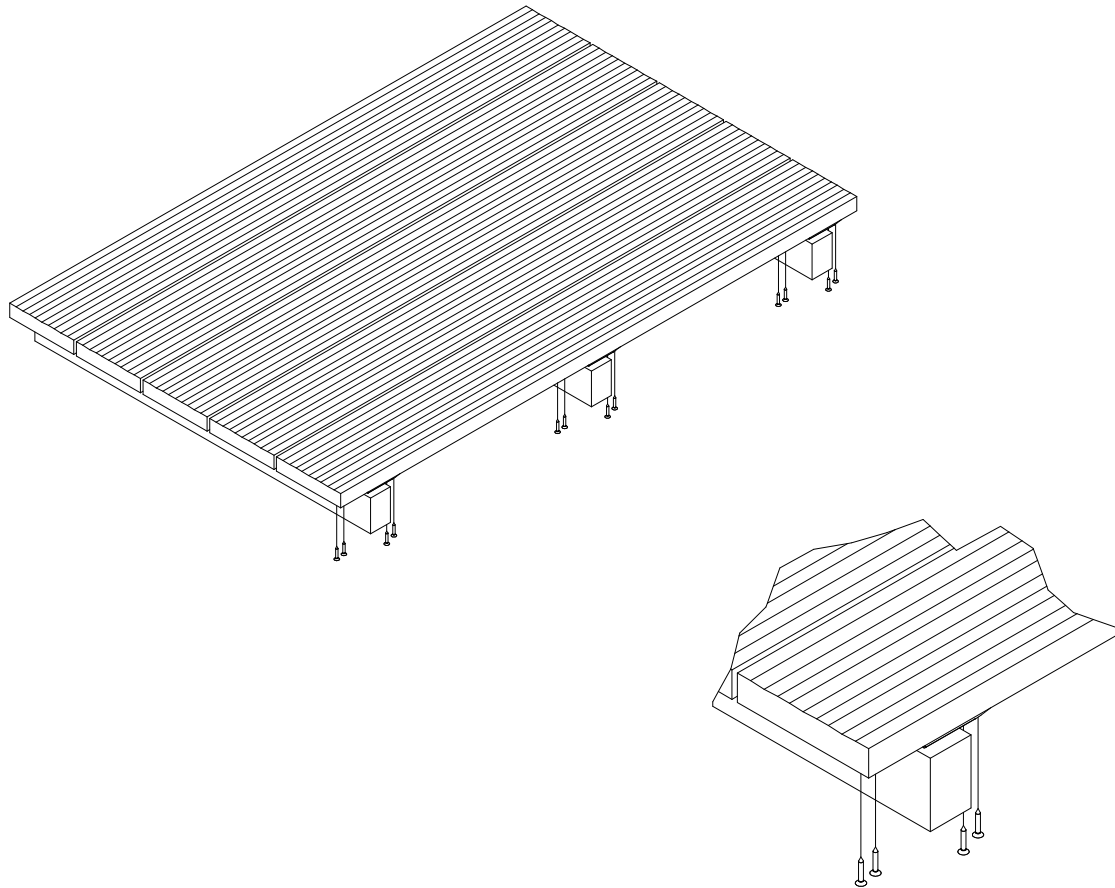
ASSEMBLY OF THE FINISHING BOARD



8

ASSEMBLY OF THE FINISHING BOARD





COMMENTS

- when assembling the first and the last board it is worth using a screwdriver or an angle adapter,
- between the boards, keep the expansion joint "X" according to the recommendations of the decking board producer,
- depending on the space between the joists, the number of the used plastic clips per square metre may vary (the recommended distance between the joists given on the packaging is 60cm)
- detailed information on the system can be provided by the local resellerZ